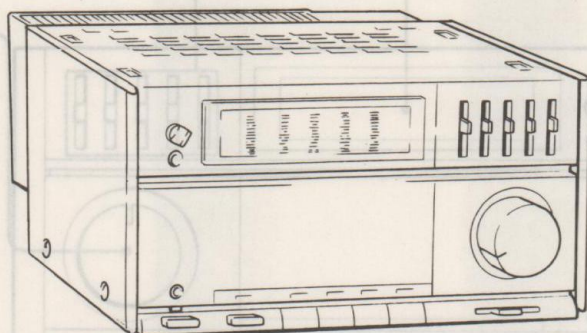


TA-808M

SERVICE MANUAL

AEP Model



- TA-808M is the INTEGRATED STEREO AMPLIFIER in MHC-3000.

SPECIFICATIONS

Continuous RMS power output
45 + 45 W
(6 ohms, at 1 kHz, 5% THD)

Inputs

Input jacks	Jack type	Sensitivity	Impedance
PHONO	Phono	2.5 mV	50 kohms
CD/AUX	Phono	450 mV	50 kohms
MIC	Stereo mini	1 mV	600 ohms

Outputs

HEADPHONES (stereo phone jack)	Accepts headphones of 8 ohms or more
SPEAKER	Accepts speakers of 6 to 16 ohms

General

Power requirements
220 V AC, 50 Hz

Power consumption
110 W

Dimensions
Approx. 245 × 120 × 285 mm (w/h/d)
(9³/₄ × 4³/₄ × 11¹/₄ inches)
incl. projecting parts and controls

Weight
Approx. 4.5 kg (10 lb) net

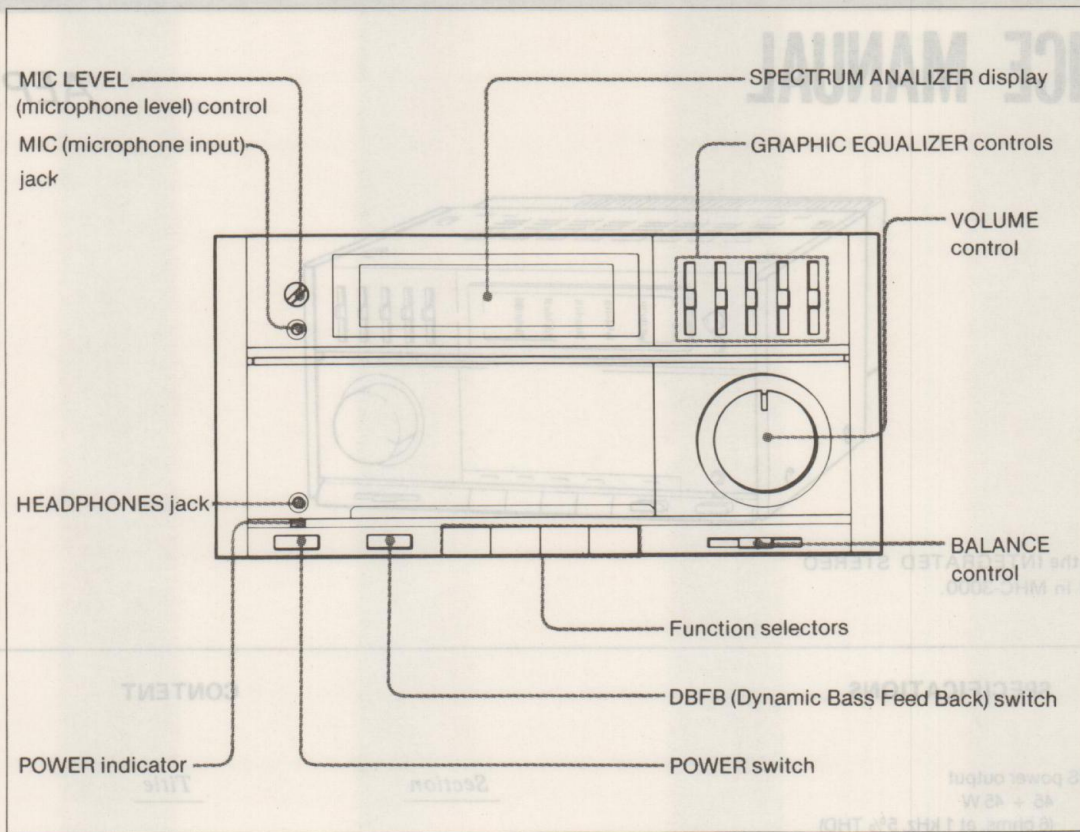
CONTENT

Section	Title	Page
	Specifications	1
	Location and Function of Controls	2
	Model Identification	2
SECTION 1. DIAGRAMS		4
1-1.	Semiconductor Lead Layouts	4
1-2.	Printed Wiring Boards	6
1-3.	Schematic Diagram	9
SECTION 2. EXPLODED VIEWS		15
SECTION 3. ELECTRICAL PARTS LIST		22



INTEGRATED STEREO AMPLIFIER
SONY

LOCATION AND FUNCTION OF CONTROLS



—MODEL IDENTIFICATION—
(Specification Label)

SONY® MODEL NO. TA-808M

INTEGRATED STEREO AMPLIFIER

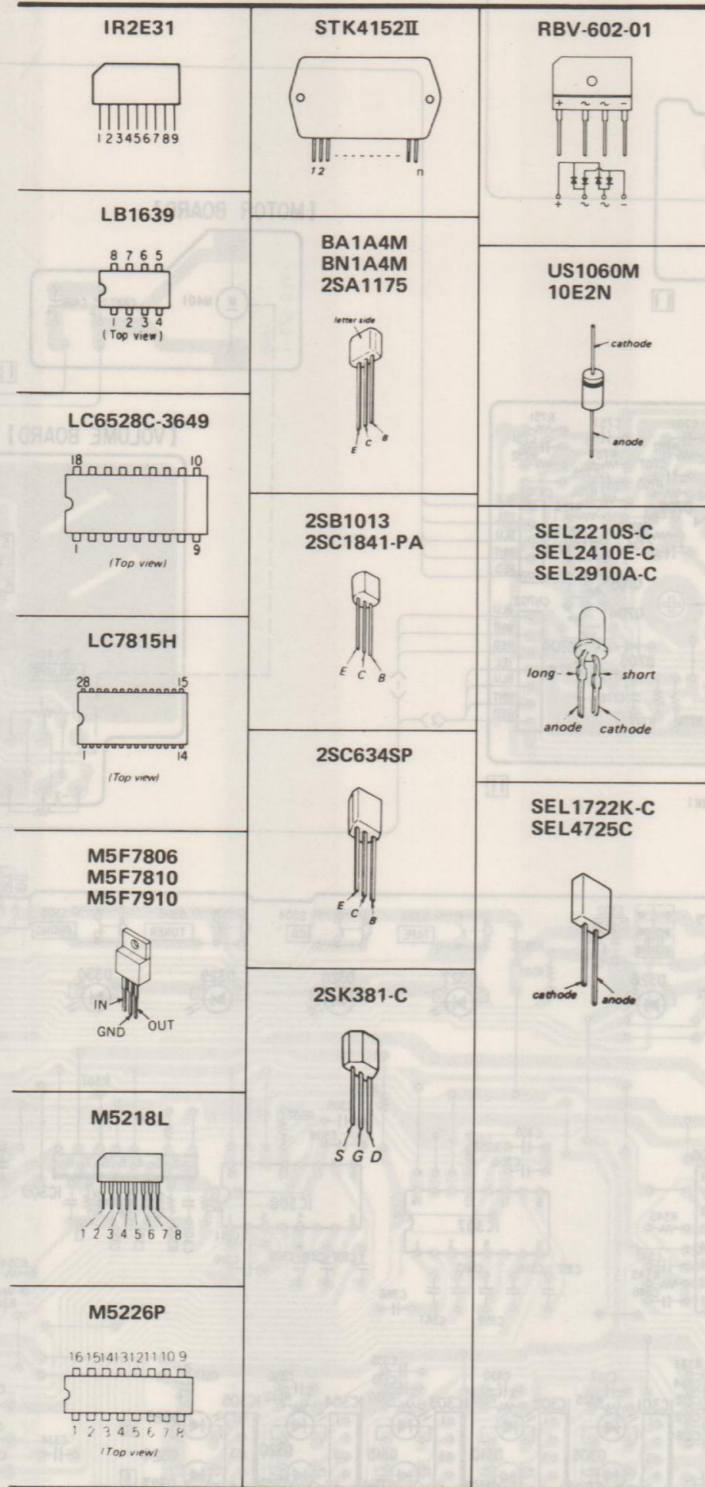
SAFETY-RELATED COMPONENT WARNING!!

COMPONENTS IDENTIFIED BY MARK OR DOTTED LINE WITH MARK ON THE SCHEMATIC DIAGRAMS AND IN THE PARTS LIST ARE CRITICAL TO SAFE OPERATION. REPLACE THESE COMPONENTS WITH SONY PARTS WHOSE PART NUMBERS APPEAR AS SHOWN IN THIS MANUAL OR IN SUPPLEMENTS PUBLISHED BY SONY.

**SECTION 1
DIAGRAMS**

1-2. PRINTING BOARDS
 • See page 4 for semiconductor lead layouts.
 • See page 5 for semiconductor locations.

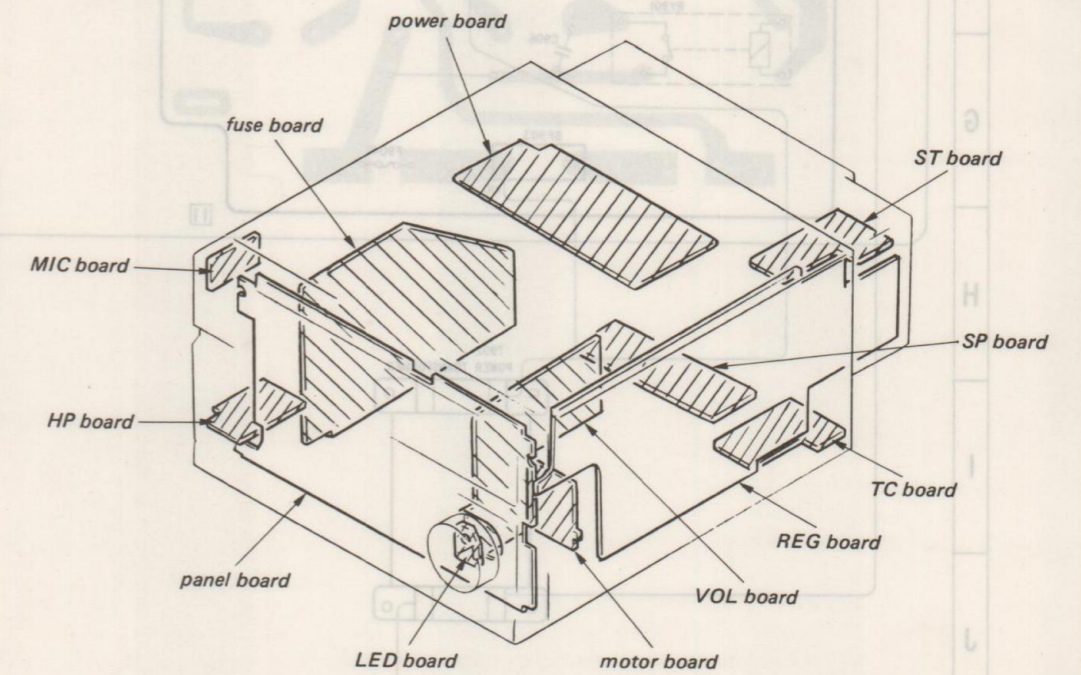
1-1. SEMICONDUCTOR LEAD LAYOUTS



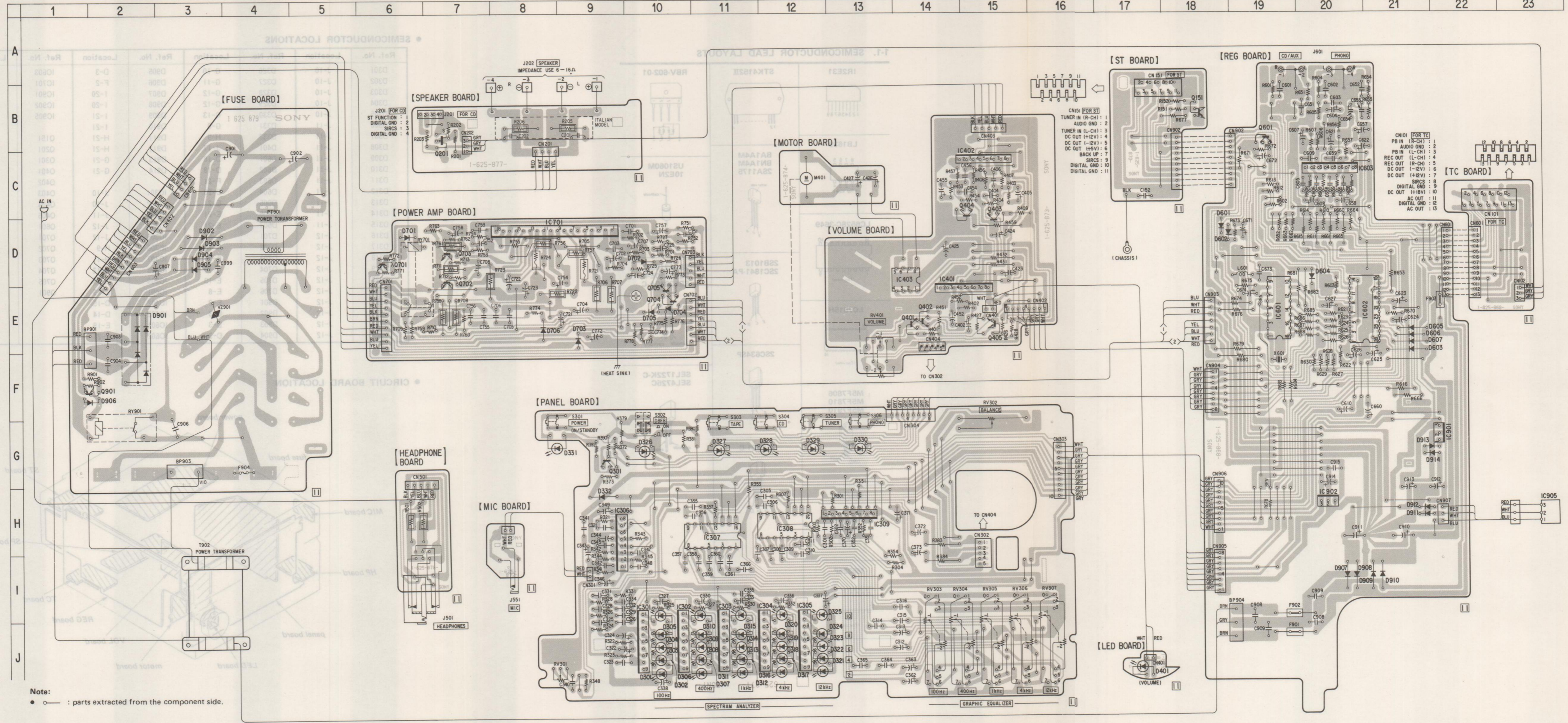
• SEMICONDUCTOR LOCATIONS

Ref. No.	Location	Ref. No.	Location	Ref. No.	Location	Ref. No.	Location
D301	J-10	D326	G-10	D905	D-3	IC603	C-20
D302	J-10	D327	G-11	D906	F-2	IC701	D-8
D303	J-10	D328	G-12	D907	I-20	IC901	G-22
D304	J-10	D329	G-12	D908	I-20	IC902	H-20
D305	J-10	D330	G-13	D909	I-21	IC905	H-23
D306	J-11	D331	G-8	D910	I-21		
D307	J-11	D332	H-9	D911	H-21	Q151	B-18
D308	J-11	D401	J-17	D912	H-21	Q201	B-7
D309	J-11	D601	D-18	D913	G-21	Q301	G-9
D310	J-11	D602	D-18	D914	G-21	Q401	E-14
D311	J-11	D603	F-21			Q402	E-14
D312	J-11	D604	D-20	IC301	J-10	Q403	C-15
D313	J-11	D605	E-21	IC302	J-10	Q404	C-15
D314	J-11	D606	E-21	IC303	J-11	Q405	E-15
D315	J-11	D607	E-21	IC304	J-12	Q601	B-19
D316	J-12	D701	D-6	IC305	J-12	Q701	D-6
D317	J-12	D702	D-10	IC306	H-9	Q702	D-7
D318	J-12	D703	E-9	IC307	H-11	Q703	D-7
D319	J-12	D704	E-10	IC308	H-12	Q704	E-10
D320	J-12	D705	E-10	IC309	H-13	Q705	E-10
D321	J-12	D706	E-8	IC401	E-15	Q901	F-2
D322	J-12	D901	E-2	IC402	C-15		
D323	J-12	D902	D-3	IC403	D-14		
D324	J-12	D903	D-3	IC601	E-19		
D325	J-12	D904	D-3	IC602	E-21		

• CIRCUIT BOARD LOCATION

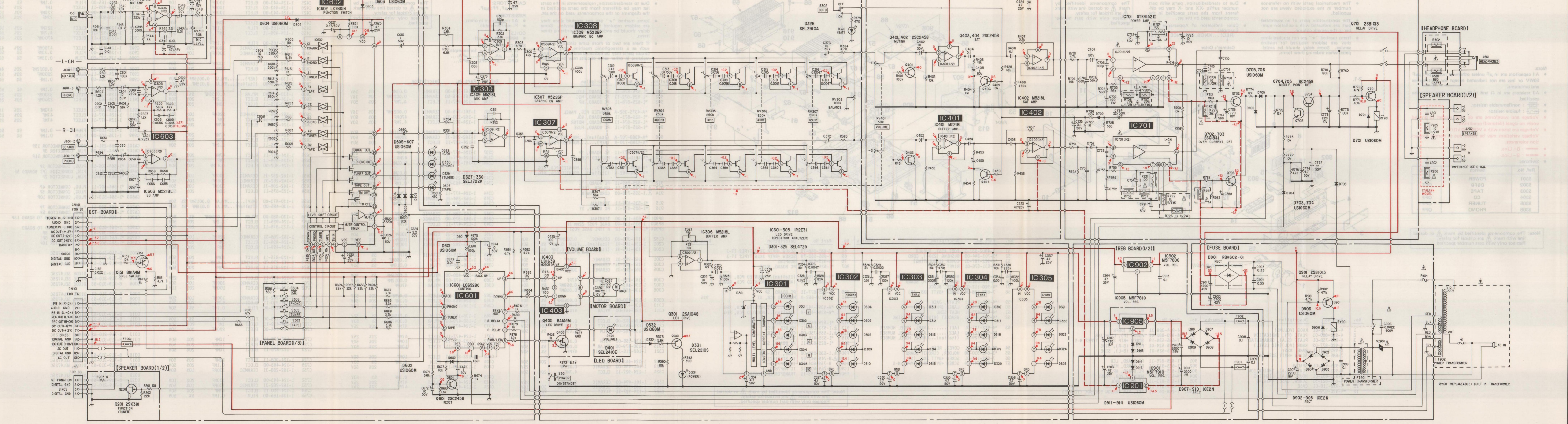


- See page 4 for semiconductor lead layouts.
- See page 5 for semiconductor locations.



Note:
 • : parts extracted from the component side.

1-3. SCHEMATIC DIAGRAM
 See page 14 for notes.



SECTION 2
EXPLODED VIEWS

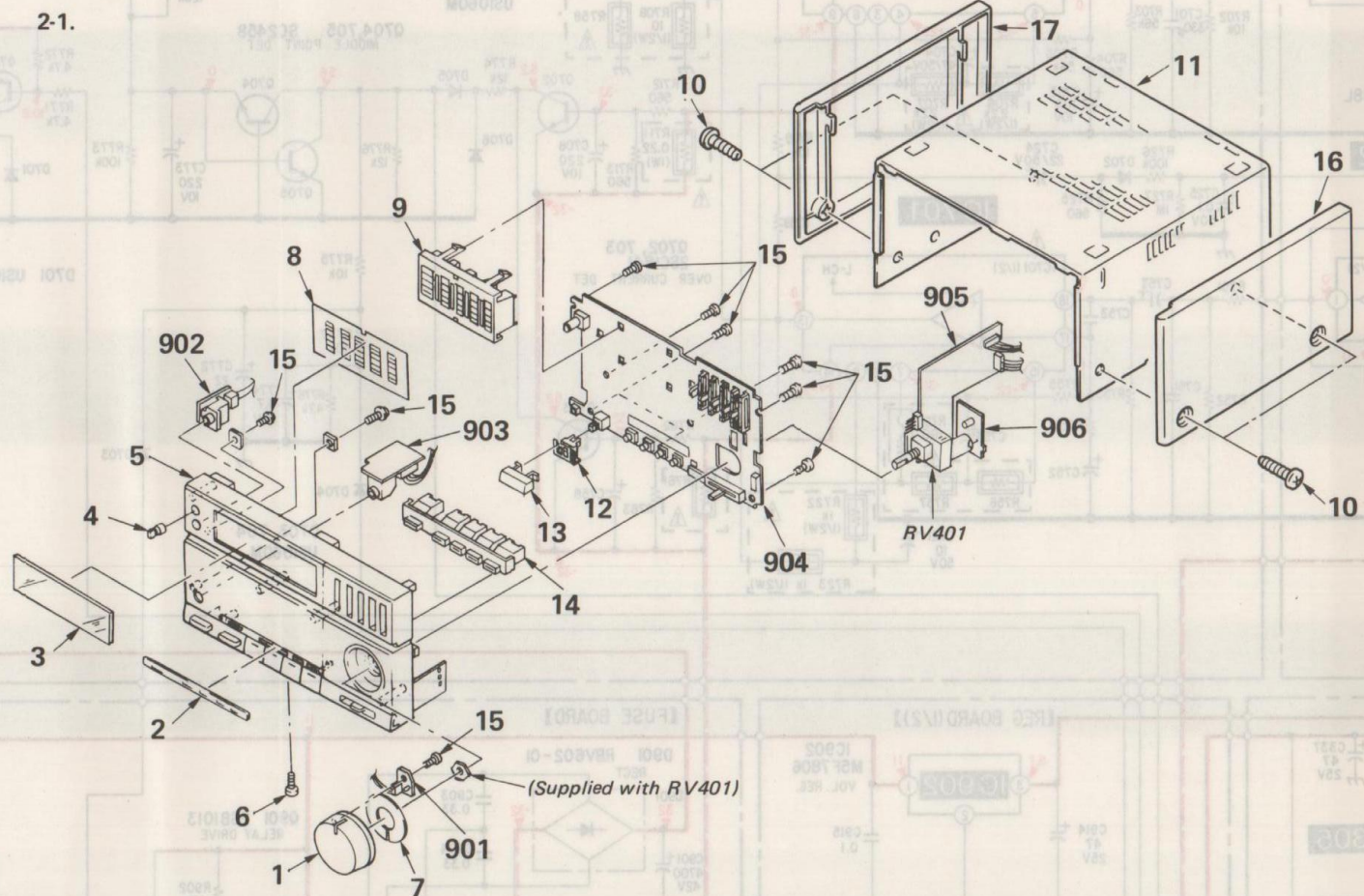
NOTE:

- The mechanical parts with no reference number in the exploded views are not supplied.
- The construction parts of an assembled part are indicated with a collation number in the remark column.
- Items marked "*" are not stocked since they are seldom required for routine service. Some delay should be anticipated when ordering these items.

- Due to standardization, parts with part number suffix -XX and -X may be different from the parts specified in the components used on the set.
- Color Indication of Appearance Parts Example:
(RED) ... KNOB, BALANCE (WHITE)
↑ Cabinet's Color ↑ Parts Color

The components identified by mark Δ or dotted line with mark Δ are critical for safety. Replace only with part number specified.

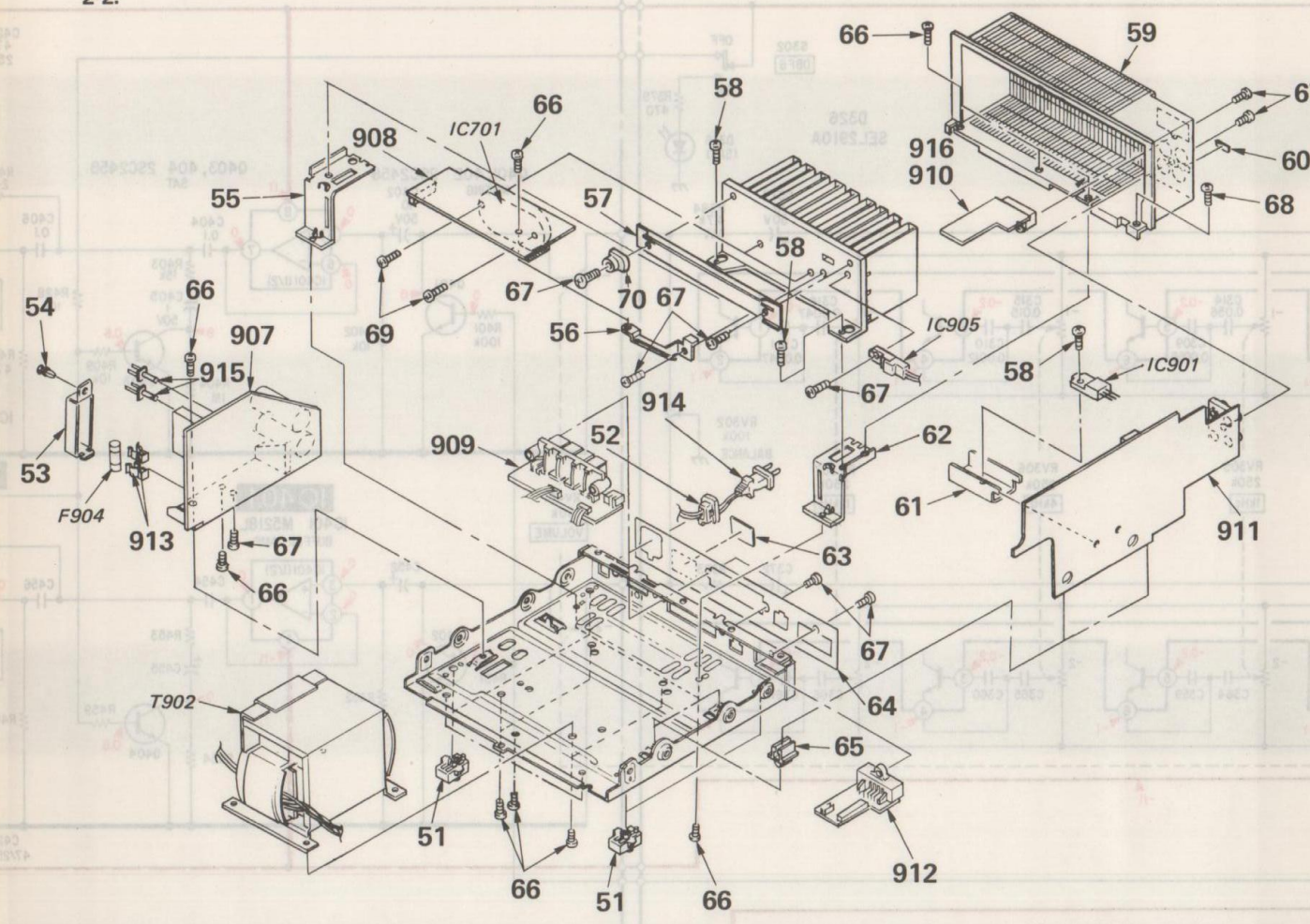
2-1.



No.	Part No.	Description	Remarks
1	4-922-790-01	KNOB (VOLUME)	
2	4-920-880-01	PLATE (F), INDICATION	
3	4-922-758-01	PLATE (S.A), ORNAMENTAL	
4	4-920-877-02	KNOB (VOL) (MIC LEVEL)	
5	X-4919-671-1	PANEL ASSY	
6	7-685-870-01	SCREW +BVTT 3X5 (S)	
7	4-925-554-01	SPACER	
8	4-922-757-01	PLATE (S.A), INDICATION	
9	*4-920-881-01	HOUSE (S.A), LIGHTING	
10	4-886-821-51	SCREW, CASE, (M3X14)	
11	4-920-118-01	CASE	
12	*4-920-879-01	JOINT (D)	

No.	Part No.	Description	Remarks
13	4-914-388-31	BUTTON (DBFB)	
14	*4-920-882-01	HOUSE (F), LIGHTING	
15	7-685-534-19	SCREW +BTP 2.6X8 TYPE2 N-S	
16	4-925-524-01	PLATE (B-R), SIDE	
17	4-925-525-01	PLATE (B-L), SIDE	
901	*1-625-875-11	PC BOARD, LED	
902	*1-625-872-11	PC BOARD, MIC	
903	*1-625-878-11	PC BOARD, HP	
904	*A-4375-352-A	MOUNTED PCB, PANEL	
905	*1-625-873-11	PC BOARD, VOL	
906	*1-625-874-11	PC BOARD, MOTOR	
RV401	1-238-061-11	RES, VAR CARBON 50K/50K (VOLUME)	

2-2.



No.	Part No.	Description	Remarks
51	X-4902-937-1	FOOT ASSY, RUBBER	
52	*3-703-244-00	BUSHING (2104), CORD	
53	*4-922-787-01	COVER (INSULATING)	
54	3-531-576-01	RIVET	
55	*4-914-393-01	BRACKET (LEFT), HEAT SINK	
56	*4-910-064-01	BRACKET (H), PC BOARD	
57	*4-920-112-01	PLATE, BLOCK	
58	7-682-548-04	SCREW +BVTT 3X8 (S)	
59	*4-920-116-11	PLATE, JACK	
60	*4-920-876-01	LABEL (PHONO)	
61	*4-880-403-11	HEAT SINK	
62	*4-914-394-01	BRACKET (RIGHT), HEAT SINK	
63	*4-922-727-01	(AE1).....LABEL, MODEL NUMBER	
64	*4-922-727-11	(AE2).....LABEL, MODEL NUMBER	
65	*4-922-729-01	(Italian)...LABEL, MODEL NUMBER	
66	*4-920-885-01	COVER, REAR	
67	*3-642-310-00	HOLDER, CIRCUIT BOARD	
67	7-682-147-01	SCREW +BVTT 3X6 (S)	
67	7-685-647-79	SCREW +BVTP 3X10 TYPE2 N-S	
F904	*1-532-285-00	FUSE, TIME-LAG	
IC701	*8-749-941-52	IC STK4152II	
IC901	8-759-604-50	IC M5F7910	
IC905	8-759-604-32	IC M5F7810	
T902	*1-449-193-11	TRANSFORMER, POWER	

Note: The components identified by mark Δ or dotted line with mark Δ are critical for safety. Replace only with part number specified.

SECTION 3
ELECTRICAL PARTS LIST

NOTE:

- Due to standardization, replacements in the parts list may be different from the parts specified in the diagrams or the components used on the set.
- Items marked "*" are not stocked since they are seldom required for routine service. Some delay should be anticipated when ordering these items.
- If there are two or more same circuits in a set such as a stereophonic machine, only typical circuit parts may be indicated and capacitors and resistors in other same circuits may be omitted.

CAPACITORS:
MF: μ F, PF: μ MF

RESISTORS
• All resistors are in ohms.
• F: nonflammable

COILS
• MMH: mH, UH: μ H

SEMICONDUCTORS
In each case, U: μ , for example:
UA....: μ A.... UPA....: μ PA....
UPC....: μ PC, UPD....: μ PD....

The components identified by mark Δ or dotted line with mark Δ are critical for safety. Replace only with part number specified.

Ref.No.	Part No.	Description	Remarks
901	*1-625-875-11	PC BOARD, LED	
902	*1-625-872-11	PC BOARD, MIC	
903	*1-625-878-11	PC BOARD, HP	
904	*A-4375-352-A	MOUNTED PCB, PANEL	
905	*1-625-873-11	PC BOARD, VOL	
906	*1-625-874-11	PC BOARD, MOTOR	
907	*1-625-879-11	PC BOARD, FUSE	
908	*A-4388-707-A	(Italian)...MOUNTED PCB, POWER	
908	*A-4388-730-A	(AEP).....MOUNTED PCB, POWER	
909	*1-625-877-11	PC BOARD, SP	
910	*A-4410-662-A	MOUNTED PCB, ST	
911	*A-4394-447-A	(AEP).....MOUNTED PCB, REG	
911	*A-4394-462-A	(Italian)...MOUNTED PCB, REG	
912	*1-625-869-11	PC BOARD, TC	
913	Δ 1-533-183-11	HOLDER, FUSE	
914	Δ 1-555-750-00	CORD, POWER	
915	*1-535-476-11	TERMINAL	
916	*1-625-870-11	PC BOARD, ST	
BP901	*1-535-116-00	TERMINAL	
BP903	1-535-139-00	BASE POST 22mm 2P	
BP904	*1-508-830-12	H TYPE BASE POST	
C152	1-101-005-00	CERAMIC 0.022MF	50V
C201	1-136-165-91	(Italian)...FILM 0.1MF	50V
C202	1-136-165-91	(Italian)...FILM 0.1MF	50V
C301	1-162-282-31	CERAMIC 100PF	10% 50V
C302	1-162-282-31	CERAMIC 100PF	10% 50V
C305	1-162-282-31	CERAMIC 100PF	10% 50V
C306	1-162-215-31	CERAMIC 47PF	5% 50V
C307	1-136-163-00	FILM 0.068MF	5% 50V
C308	1-136-156-00	FILM 0.018MF	5% 50V
C309	1-130-480-00	MYLAR 0.0056MF	5% 50V
C310	1-130-472-00	MYLAR 0.0012MF	5% 50V
C311	1-130-467-00	MYLAR 470PF	5% 50V
C312	1-124-902-00	ELECT 0.47MF	20% 50V
C313	1-124-463-00	ELECT 0.1MF	20% 50V
C314	1-136-162-00	FILM 0.056MF	5% 50V
C315	1-136-155-00	FILM 0.015MF	5% 50V
C316	1-130-479-00	MYLAR 0.0047MF	5% 50V
C321	1-162-215-31	CERAMIC 47PF	5% 50V
C322	1-124-463-00	ELECT 0.1MF	20% 50V
C323	1-161-494-00	CERAMIC 0.022MF	25V
C324	1-124-927-11	ELECT 4.7MF	20% 50V
C325	1-161-494-00	CERAMIC 0.022MF	25V
C326	1-161-377-00	CERAMIC 0.0047MF	30% 16V
C327	1-124-927-11	ELECT 4.7MF	20% 50V
C328	1-161-379-00	CERAMIC 0.01MF	30% 16V
C329	1-161-375-00	CERAMIC 0.0022MF	30% 16V
C330	1-124-927-11	PC BOARD, HP	4.7MF
C331	1-161-375-00	CERAMIC 0.0022MF	30% 16V
C332	1-162-290-31	CERAMIC 470PF	10% 50V
C333	1-124-927-11	ELECT 4.7MF	20% 50V
C334	1-162-294-31	CERAMIC 0.001MF	10% 50V
C335	1-162-286-31	CERAMIC 220PF	10% 50V
C336	1-124-927-11	ELECT 4.7MF	20% 50V
C337	1-124-477-11	ELECT 47MF	20% 25V
C338	1-124-477-11	ELECT 47MF	20% 25V
C340	1-161-379-00	CERAMIC 0.01MF	30% 16V
C341	1-161-379-00	CERAMIC 0.01MF	30% 16V
C342	1-162-294-31	CERAMIC 0.001MF	10% 50V
C343	1-124-463-00	ELECT 0.1MF	20% 50V
C344	1-124-477-11	ELECT 47MF	20% 25V
C345	1-162-294-31	CERAMIC 0.001MF	10% 50V
C346	1-124-902-00	ELECT 0.47MF	20% 50V
C347	1-162-288-31	CERAMIC 330PF	10% 50V
C348	1-161-379-00	CERAMIC 0.01MF	30% 16V
C349	1-124-477-11	ELECT 47MF	20% 25V
C351	1-162-282-31	CERAMIC 100PF	10% 50V
C352	1-162-282-31	CERAMIC 100PF	10% 50V
C355	1-162-282-31	CERAMIC 100PF	10% 50V
C356	1-162-215-31	CERAMIC 47PF	5% 50V
C357	1-136-163-00	FILM 0.068MF	5% 50V
C358	1-136-156-00	FILM 0.018MF	5% 50V
C359	1-130-480-00	MYLAR 0.0056MF	5% 50V
C360	1-130-472-00	MYLAR 0.0012MF	5% 50V
C361	1-130-467-00	MYLAR 470PF	5% 50V
C362	1-124-902-00	ELECT 0.47MF	20% 50V
C363	1-124-463-00	ELECT 0.1MF	20% 50V
C364	1-136-162-00	FILM 0.056MF	5% 50V
C365	1-136-155-00	FILM 0.015MF	5% 50V
C366	1-130-479-00	MYLAR 0.0047MF	5% 50V
C370	1-124-477-11	ELECT 47MF	20% 25V
C371	1-124-477-11	ELECT 47MF	20% 25V
C372	1-123-875-11	ELECT 10MF	20% 50V
C373	1-123-875-11	ELECT 10MF	20% 50V
C402	1-123-875-11	ELECT 10MF	20% 50V
C404	1-136-165-00	FILM 0.1MF	5% 50V
C405	1-124-499-11	ELECT 1MF	20% 50V
C406	1-136-165-00	FILM 0.1MF	5% 50V
C423	1-124-477-11	ELECT 47MF	20% 25V
C424	1-124-477-11	ELECT 47MF	20% 25V
C425	1-124-443-00	ELECT 100MF	20% 10V
C426	1-124-443-00	ELECT 100MF	20% 10V
C427	1-124-443-00	ELECT 100MF	20% 10V
C452	1-123-875-11	ELECT 10MF	20% 50V
C454	1-136-165-00	FILM 0.1MF	5% 50V
C455	1-124-499-11	ELECT 1MF	20% 50V
C456	1-136-165-00	FILM 0.1MF	5% 50V
C601	1-162-282-31	CERAMIC 100PF	10% 50V
C602	1-162-282-31	CERAMIC 100PF	10% 50V
C603	1-162-288-31	CERAMIC 330PF	10% 50V
C604	1-123-875-11	ELECT 10MF	20% 50V
C605	1-130-473-00	(AEP).....MYLAR 0.0015MF	5% 50V
C605	1-130-485-00	(Italian)...MYLAR 0.015MF	5% 50V
C606	1-130-480-00	MYLAR 0.0056MF	5% 50V
C607	1-124-925-11	ELECT 2.2MF	20% 50V
C608	1-123-875-11	ELECT 10MF	20% 50V
C609	1-162-286-31	CERAMIC 220PF	10% 50V
C610	1-124-499-11	ELECT 1MF	20% 50V
C621	1-124-477-11	ELECT 47MF	20% 25V
C622	1-124-477-11	ELECT 47MF	20% 25V
C623	1-124-477-11	ELECT 47MF	20% 25V
C624	1-124-925-11	ELECT 2.2MF	20% 50V
C625	1-124-477-11	ELECT 47MF	20% 25V
C626	1-124-477-11	ELECT 1MF	20% 50V
C627	1-124-902-00	ELECT 0.47MF	20% 50V
C651	1-162-282-31	CERAMIC 100PF	10% 50V
C652	1-162-282-31	CERAMIC 100PF	10% 50V
C653	1-162-288-31	CERAMIC 330PF	10% 50V
C654	1-123-875-11	ELECT 10MF	20% 50V
C655	1-130-473-00	(AEP).....MYLAR 0.0015MF	5% 50V
C655	1-130-485-00	(Italian)...MYLAR 0.015MF	5% 50V
C656	1-130-480-00	MYLAR 0.0056MF	5% 50V
C657	1-124-925-11	ELECT 2.2MF	20% 50V
C658	1-123-875-11	ELECT 10MF	20% 50V
C659	1-162-286-31	CERAMIC 220PF	10% 50V
C660	1-124-499-11	ELECT 1MF	20% 50V
C671	1-124-499-11	ELECT 1MF	20% 50V
C672	1-123-875-11	ELECT 10MF	20% 50V
C673	1-161-379-00	CERAMIC 0.01MF	30% 16V
C674	1-123-875-11	ELECT 10MF	20% 50V
C675	1-124-477-11	ELECT 47MF	20% 25V
C701	1-162-288-31	CERAMIC 330PF	10% 50V
C702	1-124-443-00	ELECT 100MF	20% 10V
C703	1-162-282-31	CERAMIC 100PF	10% 50V
C704	1-124-910-11	ELECT 47MF	20% 50V
C705	1-136-165-00	FILM 0.1MF	5% 50V
C706	1-136-165-00	FILM 0.1MF	5% 50V
C707	1-124-499-11	ELECT 1MF	20% 50V
C708	1-124-444-00	ELECT 220MF	20% 10V
C731	1-123-875-11	ELECT 10MF	20% 50V
C732	1-124-122-11	ELECT 100MF	20% 50V
C733	1-123-875-11	ELECT 10MF	20% 50V
C724	1-124-908-11	ELECT 22MF	20% 50V
C725	1-124-463-00	ELECT 0.1MF	20% 50V
C751	1-162-288-31	CERAMIC 330PF	10% 50V
C752	1-124-443-00	ELECT 100MF	20% 10V
C753	1-162-282-31	CERAMIC 100PF	10% 50V
C754	1-124-910-11	ELECT 47MF	20% 50V
C755	1-136-165-00	FILM 0.1MF	5% 50V

Ref.No.	Part No.	Description	Remarks
C756	1-136-165-00	FILM 0.1MF	5% 50V
C757	1-124-499-11	ELECT 1MF	20% 50V
C758	1-124-444-00	ELECT 220MF	20% 10V
C772	1-124-908-11	ELECT 22MF	20% 50V
C773	1-124-444-00	ELECT 220MF	20% 10V
C774	1-124-927-11	ELECT 4.7MF	20% 50V
C901	1-126-224-11	ELECT 4700MF	20% 42V
C902	1-126-224-11	ELECT 4700MF	20% 42V
C903	1-136-171-00	FILM 0.33MF	5% 50V
C904	1-136-171-00	FILM 0.33MF	5% 50V
C906	*1-161-742-00	CERAMIC 0.0022MF	20% 400V
C907			

Ref.No.	Part No.	Description	Ref.No.	Part No.	Description
D322	8-719-310-63	DIODE SEL4725C	IC701	8-749-941-52	IC STK4152II
D323	8-719-310-63	DIODE SEL4725C	IC901	8-759-604-50	IC M5F7910
D324	8-719-310-63	DIODE SEL4725C	IC902	8-759-604-84	IC M5F7806
			IC905	8-759-604-32	IC M5F7810
D325	8-719-310-63	DIODE SEL4725C	J201	1-564-980-11	PIN, CONNECTOR 4P
D326	8-719-301-60	DIODE SEL2910A-C	J202	1-536-705-00	TERMINAL BOARD (SP)
D327	8-719-310-81	DIODE SEL1722K-C	J501	1-562-837-11	JACK (HEADPHONES)
D328	8-719-310-81	DIODE SEL1722K-C	J551	1-562-981-21	JACK (MIC)
D329	8-719-310-81	DIODE SEL1722K-C	J601	1-507-908-11	JACK, PIN 4P
D330	8-719-310-81	DIODE SEL1722K-C	L601	1-410-564-21	INDUCTOR 100UH
D331	8-719-301-38	DIODE SEL2210S-C	PT901	1-449-194-11	TRANSFORMER, POWER
D332	8-719-000-26	DIODE US1060M	Q151	8-729-115-15	TRANSISTOR B1A4M
D401	8-719-301-43	DIODE SEL2410E-C	Q201	8-729-600-94	TRANSISTOR 2SK381-C
			Q301	8-729-117-54	TRANSISTOR 2SA1175
D601	8-719-000-26	DIODE US1060M	Q401	8-729-600-27	TRANSISTOR 2SC634SP
D602	8-719-000-26	DIODE US1060M	Q402	8-729-600-27	TRANSISTOR 2SC634SP
D603	8-719-000-26	DIODE US1060M	Q403	8-729-600-27	TRANSISTOR 2SC634SP
D604	8-719-000-26	DIODE US1060M	Q404	8-729-600-27	TRANSISTOR 2SC634SP
D605	8-719-000-26	DIODE US1060M	Q405	8-729-115-79	TRANSISTOR BA1A4M
D606	8-719-000-26	DIODE US1060M	Q601	8-729-600-27	TRANSISTOR 2SC634SP
D607	8-719-000-26	DIODE US1060M	Q701	8-729-801-83	TRANSISTOR 2SB1013
D701	8-719-000-26	DIODE US1060M	Q702	8-729-108-05	TRANSISTOR 2SC1841-PA
D702	8-719-000-26	DIODE US1060M	Q703	8-729-108-05	TRANSISTOR 2SC1841-PA
D703	8-719-000-26	DIODE US1060M	Q704	8-729-600-27	TRANSISTOR 2SC634SP
D704	8-719-000-26	DIODE US1060M	Q705	8-729-600-27	TRANSISTOR 2SC634SP
D705	8-719-000-26	DIODE US1060M	Q901	8-729-801-83	TRANSISTOR 2SB1013
D706	8-719-000-26	DIODE US1060M	R151	1-249-425-11	CARBON 4.7K 5%
D901	8-719-302-38	DIODE RBV-602-01	R152	1-249-429-11	CARBON 10K 5%
D902	8-719-200-77	DIODE 10E2N	R201	1-249-429-11	CARBON 10K 5%
D903	8-719-200-77	DIODE 10E2N	R202	1-249-433-11	CARBON 22K 5%
D904	8-719-200-77	DIODE 10E2N	R203	1-249-417-11	CARBON 1K 5%
D905	8-719-200-77	DIODE 10E2N	R205	1-247-727-81	(Italian)...CARBON 10 5% 1/2W F
D906	8-719-000-26	DIODE US1060M	R206	1-247-727-81	(Italian)...CARBON 10 5% 1/2W F
D907	8-719-200-77	DIODE 10E2N	R301	1-249-427-11	CARBON 6.8K 5%
D908	8-719-200-77	DIODE 10E2N	R302	1-249-435-11	CARBON 33K 5%
D909	8-719-200-77	DIODE 10E2N	R303	1-249-425-11	CARBON 4.7K 5%
D910	8-719-200-77	DIODE 10E2N	R304	1-249-426-11	CARBON 5.6K 5%
D911	8-719-000-26	DIODE US1060M	R307	1-249-438-11	CARBON 56K 5%
D912	8-719-000-26	DIODE US1060M	R321	1-249-430-11	CARBON 12K 5%
D913	8-719-000-26	DIODE US1060M	R322	1-249-430-11	CARBON 12K 5%
D914	8-719-000-26	DIODE US1060M	R323	1-249-441-11	CARBON 100K 5%
F901	1-532-846-21	LINK, IC	R324	1-249-431-11	CARBON 15K 5%
F902	1-532-846-21	LINK, IC	R325	1-247-881-00	CARBON 120K 5%
F903	1-532-841-21	LINK, IC	R326	1-249-430-11	CARBON 12K 5%
F904	1-532-285-00	FUSE, TIME-LAG	R327	1-249-441-11	CARBON 100K 5%
IC301	8-759-913-80	IC IR2E31	R328	1-249-431-11	CARBON 15K 5%
IC302	8-759-913-80	IC IR2E31	R330	1-247-881-00	CARBON 120K 5%
IC303	8-759-913-80	IC IR2E31	R331	1-249-429-11	CARBON 10K 5%
IC304	8-759-913-80	IC IR2E31	R332	1-249-441-11	CARBON 100K 5%
IC305	8-759-913-80	IC IR2E31	R341	1-249-429-11	CARBON 10K 5%
IC306	8-759-600-02	IC M5218L	R342	1-249-418-11	CARBON 1.2K 5%
IC307	8-759-602-04	IC M5226P	R343	1-249-429-11	CARBON 10K 5%
IC308	8-759-602-04	IC M5226P	R344	1-249-399-11	CARBON 33 5%
IC309	8-759-600-02	IC M5218L	R345	1-249-423-11	CARBON 3.3K 5%
IC401	8-759-600-02	IC M5218L	R348	1-249-429-11	CARBON 10K 5%
IC402	8-759-600-02	IC M5218L	R351	1-249-427-11	CARBON 6.8K 5%
IC403	8-759-820-62	IC LB1639			
IC601	8-759-820-50	IC LC6528C-3649			
IC602	8-759-800-33	IC LC7815H			
IC603	8-759-600-02	IC M5218L			

Note: The components identified by mark Δ or dotted line with mark Δ are critical for safety. Replace only with part number specified.

Note: The components identified by mark Δ or dotted line with mark Δ are critical for safety. Replace only with part number specified.

Ref.No.	Part No.	Description	Value	Power	Temp
R352	1-249-435-11	CARBON	33K	5%	1/4W
R353	1-249-425-11	CARBON	4.7K	5%	1/4W
R354	1-249-426-11	CARBON	5.6K	5%	1/4W
R357	1-249-438-11	CARBON	56K	5%	1/4W
R372	1-249-428-11	CARBON	8.2K	5%	1/4W
R373	1-249-426-11	CARBON	5.6K	5%	1/4W
R379	1-249-413-11	CARBON	470	5%	1/4W
R380	1-249-414-11	CARBON	560	5%	1/4W
R381	1-249-413-11	CARBON	470	5%	1/4W
R383	1-249-425-11	CARBON	4.7K	5%	1/4W
R384	1-249-425-11	CARBON	4.7K	5%	1/4W
R390	1-249-429-11	CARBON	10K	5%	1/4W
R392	1-249-412-11	CARBON	390	5%	1/4W
R401	1-249-441-11	CARBON	100K	5%	1/4W
R402	1-249-429-11	CARBON	10K	5%	1/4W
R403	1-249-431-11	CARBON	15K	5%	1/4W
R404	1-247-903-00	CARBON	1M	5%	1/4W
R406	1-247-895-00	CARBON	470K	5%	1/4W
R407	1-249-421-11	CARBON	2.2K	5%	1/4W
R409	1-249-429-11	CARBON	10K	5%	1/4W
R426	1-249-417-11	CARBON	1K	5%	1/4W
R427	1-249-415-11	CARBON	680	5%	1/4W
R428	1-249-429-11	CARBON	10K	5%	1/4W
R431	1-249-405-11	CARBON	100	5%	1/4W
R432	1-249-405-11	CARBON	100	5%	1/4W
R451	1-249-441-11	CARBON	100K	5%	1/4W
R452	1-249-429-11	CARBON	10K	5%	1/4W
R453	1-249-431-11	CARBON	15K	5%	1/4W
R454	1-247-903-00	CARBON	1M	5%	1/4W
R456	1-247-895-00	CARBON	470K	5%	1/4W
R457	1-249-421-11	CARBON	2.2K	5%	1/4W
R459	1-249-429-11	CARBON	10K	5%	1/4W
R501	△.1-247-750-81	CARBON	680	5%	1/2W F
R502	△.1-247-750-81	CARBON	680	5%	1/2W F
R601	1-249-418-11	CARBON	1.2K	5%	1/4W
R602	1-247-891-00	CARBON	330K	5%	1/4W
R603	1-249-432-11	CARBON	18K	5%	1/4W
R604	1-249-418-11	CARBON	1.2K	5%	1/4W
R605	1-249-418-11	CARBON	1.2K	5%	1/4W
R606	1-249-438-11	CARBON	56K	5%	1/4W
R607	1-249-418-11	CARBON	1.2K	5%	1/4W
R608	1-249-437-11	CARBON	47K	5%	1/4W
R609	1-215-487-00	CARBON	560K	5%	1/4W
R610	1-247-891-00	CARBON	330K	5%	1/4W
R611	1-249-423-11	CARBON	3.3K	5%	1/4W
R612	1-247-891-00	CARBON	330K	5%	1/4W
R613	1-249-417-11	CARBON	1K	5%	1/4W
R614	1-247-891-00	CARBON	330K	5%	1/4W
R615	1-249-429-11	CARBON	10K	5%	1/4W
R616	1-249-425-11	CARBON	4.7K	5%	1/4W
R621	1-249-421-11	CARBON	2.2K	5%	1/4W
R622	1-247-887-00	CARBON	220K	5%	1/4W
R623	1-249-429-11	CARBON	10K	5%	1/4W
R624	1-249-429-11	CARBON	10K	5%	1/4W

Ref.No.	Part No.	Description	Value	Power	Temp
R625	1-249-429-11	CARBON	10K	5%	1/4W
R626	1-249-429-11	CARBON	10K	5%	1/4W
R627	1-249-433-11	CARBON	22K	5%	1/4W
R628	1-249-433-11	CARBON	22K	5%	1/4W
R629	1-249-433-11	CARBON	22K	5%	1/4W
R630	1-249-433-11	CARBON	22K	5%	1/4W
R651	1-249-418-11	CARBON	1.2K	5%	1/4W
R652	1-247-891-00	CARBON	330K	5%	1/4W
R653	1-249-432-11	CARBON	18K	5%	1/4W
R654	1-249-418-11	CARBON	1.2K	5%	1/4W
R655	1-249-418-11	CARBON	1.2K	5%	1/4W
R656	1-249-438-11	CARBON	56K	5%	1/4W
R657	1-249-418-11	CARBON	1.2K	5%	1/4W
R658	1-249-437-11	CARBON	47K	5%	1/4W
R659	1-215-487-00	CARBON	560K	5%	1/4W
R660	1-247-891-00	CARBON	330K	5%	1/4W
R661	1-249-423-11	CARBON	3.3K	5%	1/4W
R662	1-247-891-00	CARBON	330K	5%	1/4W
R663	1-249-417-11	CARBON	1K	5%	1/4W
R664	1-247-891-00	CARBON	330K	5%	1/4W
R665	1-249-429-11	CARBON	10K	5%	1/4W
R666	1-249-425-11	CARBON	4.7K	5%	1/4W
R670	1-249-428-11	CARBON	8.2K	5%	1/4W
R671	1-249-426-11	CARBON	5.6K	5%	1/4W
R672	1-249-419-11	CARBON	1.5K	5%	1/4W
R673	1-249-429-11	CARBON	10K	5%	1/4W
R674	1-249-417-11	CARBON	1K	5%	1/4W
R675	1-249-441-11	CARBON	100K	5%	1/4W
R676	1-249-417-11	CARBON	1K	5%	1/4W
R677	1-249-417-11	CARBON	1K	5%	1/4W
R678	1-249-418-11	CARBON	1.2K	5%	1/4W
R679	1-249-417-11	CARBON	1K	5%	1/4W
R680	1-249-417-11	CARBON	1K	5%	1/4W
R681	1-249-425-11	CARBON	4.7K	5%	1/4W
R682	1-249-425-11	CARBON	4.7K	5%	1/4W
R683	1-249-406-11	CARBON	120	5%	1/4W
R684	1-249-406-11	CARBON	120	5%	1/4W
R685	1-249-423-11	CARBON	3.3K	5%	1/4W
R686	1-249-423-11	CARBON	3.3K	5%	1/4W
R687	1-249-423-11	CARBON	3.3K	5%	1/4W
R688	1-249-423-11	CARBON	3.3K	5%	1/4W
R701	1-249-425-11	CARBON	4.7K	5%	1/4W
R702	1-249-429-11	CARBON	10K	5%	1/4W
R703	1-249-438-11	CARBON	56K	5%	1/4W
R704	1-249-414-11	CARBON	560	5%	1/4W
R705	1-249-438-11	CARBON	56K	5%	1/4W
R706	△.1-247-756-11	CARBON	2.2K	5%	1/2W F
R707	△.1-247-756-11	CARBON	2.2K	5%	1/2W F
R708	△.1-247-727-81	CARBON	10	5%	1/2W F
R709	1-249-429-11	CARBON	10K	5%	1/4W
R710	1-247-881-00	CARBON	120K	5%	1/4W
R711	△.1-217-151-00	RES, METAL PLATE 0.22			F
R712	1-249-414-11	CARBON	560	5%	1/4W
R713	1-249-414-11	CARBON	560	5%	1/4W

Ref.No.	Part No.	Description	Value	Power	Temp
R721	△.1-212-881-11	FUSIBLE	100	5%	1/4W F
R722	△.1-247-752-11	CARBON	1K	5%	1/2W F
R723	△.1-247-752-11	CARBON	1K	5%	1/2W F
R724	△.1-212-881-11	FUSIBLE	100	5%	1/4W F
R725	1-249-414-11	CARBON	560	5%	1/4W
R726	1-249-441-11	CARBON	100K	5%	1/4W
R727	1-247-903-00	CARBON	1M	5%	1/4W
R751	1-249-425-11	CARBON	4.7K	5%	1/4W
R752	1-249-429-11	CARBON	10K	5%	1/4W
R753	1-249-438-11	CARBON	56K	5%	1/4W
R754	1-249-414-11	CARBON	560	5%	1/4W
R755	1-249-438-11	CARBON	56K	5%	1/4W
R756	△.1-247-756-11	CARBON	2.2K	5%	1/2W F
R757	△.1-247-756-11	CARBON	2.2K	5%	1/2W F
R758	△.1-247-727-81	CARBON	10	5%	1/2W F
R759	1-249-429-11	CARBON	10K	5%	1/4W
R760	1-247-881-00	CARBON	120K	5%	1/4W
R761	△.1-217-151-00	RES, METAL PLATE 0.22			F
R762	1-249-414-11	CARBON	560	5%	1/4W
R763	1-249-414-11	CARBON	560	5%	1/4W
R771	1-249-425-11	CARBON	4.7K	5%	1/4W
R772	1-249-425-11	CARBON	4.7K	5%	1/4W
R773	1-249-441-11	CARBON	100K	5%	1/4W
R774	1-249-430-11	CARBON	12K	5%	1/4W
R775	1-249-429-11	CARBON	10K	5%	1/4W
R776	1-249-430-11	CARBON	12K	5%	1/4W
R777	1-249-429-11	CARBON	10K	5%	1/4W
R778	1-249-425-11	CARBON	4.7K	5%	1/4W
R901	1-249-425-11	CARBON	4.7K	5%	1/4W
R902	1-249-425-11	CARBON	4.7K	5%	1/4W
RV301	1-238-069-11	RES, VAR, CARBON 50K (MIC LEVEL)			
RV302	1-238-064-11	RES, VAR, SLIDE 100K (BALANCE)			
RV303	1-238-065-11	RES, VAR, SLIDE 250K/250K (100Hz)			
RV304	1-238-065-11	RES, VAR, SLIDE 250K/250K (400Hz)			
RV305	1-238-065-11	RES, VAR, SLIDE 250K/250K (1kHz)			
RV306	1-238-065-11	RES, VAR, SLIDE 250K/250K (4kHz)			
RV307	1-238-065-11	RES, VAR, SLIDE 250K/250K (12kHz)			
RV401	1-238-061-11	RES, VAR CARBON 50K/50K (VOLUME)			
RY701	1-515-616-11	RELAY			
RY901	1-515-516-00	RELAY			

Ref.No.	Part No.	Description
S301	1-554-303-21	SWITCH, KEY BOARD (POWER)
S302	1-554-419-00	SWITCH, PUSH (1 KEY)(DBFB)
S303	1-571-436-11	SWITCH, KEYBOARD (TAPE)
S304	1-571-436-11	SWITCH, KEYBOARD (CD)
S305	1-571-436-11	SWITCH, KEYBOARD (TUNER)
S306	1-571-436-11	SWITCH, KEYBOARD (PHONO)
T902	△.1-449-193-11	TRANSFORMER, POWER
VZ901	△.1-807-180-31	VARIATOR SNR-14A471U
X601	1-567-819-11	VIBRATOR, CERAMIC

Note: The components identified by mark Δ or dotted line with mark Δ are critical for safety. Replace only with part number specified.

Note: The components identified by mark Δ or dotted line with mark Δ are critical for safety. Replace only with part number specified.

Note: The components identified by mark Δ or dotted line with mark Δ are critical for safety. Replace only with part number specified.



English
8808M-1
Printed in Japan
©1983
Published by AV Engineering Service Dept.

Sony Corporation
Audio Group

9-883-225-11

Ref. No.	Part No.	Description
2301	1-524-303-21	SWITCH, KEY BOARD (POWER)
2302	1-524-419-00	SWITCH, PUSH (I KEY) (DRB)
2303	1-521-438-11	SWITCH, KEYBOARD (TAPE)
2304	1-521-438-11	SWITCH, KEYBOARD (CD)
2305	1-521-438-11	SWITCH, KEYBOARD (TUNER)
2306	1-521-438-11	SWITCH, KEYBOARD (PHONE)
1905 A.1	449-193-11	TRANSFORMER, POWER
1901 A.1	803-180-31	VARIABLE RES-144A110
X801	1-527-819-11	VIBRATOR, CERAMIC

Ref. No.	Part No.	Description
R751 A.1	1-515-881-11	FUSIBLE
R752 A.1	1-547-752-11	CARBON
R753 A.1	1-547-752-11	CARBON
R754 A.1	1-515-881-11	FUSIBLE
R755 A.1	1-549-419-11	CARBON
R756 A.1	1-549-441-11	CARBON
R757	1-547-803-00	CARBON
R758	1-549-458-11	CARBON
R759	1-549-459-11	CARBON
R760	1-549-459-11	CARBON
R761 A.1	1-517-151-00	RES, METAL PLATE 0.25
R762	1-549-414-11	CARBON
R763	1-549-414-11	CARBON
R771	1-549-459-11	CARBON
R772	1-549-458-11	CARBON
R773	1-549-441-11	CARBON
R774	1-549-430-11	CARBON
R775	1-549-459-11	CARBON
R776	1-549-430-11	CARBON
R777	1-549-459-11	CARBON
R778	1-549-452-11	CARBON
R801	1-549-452-11	CARBON
R902	1-549-452-11	CARBON
R903	1-538-088-11	RES, VAR, CARBON 20K (MIC LEVEL)
R904	1-538-088-11	RES, VAR, SLIDE 100K (BALANCE)
R905	1-538-088-11	RES, VAR, SLIDE 250K (250K (100Hz))
R906	1-538-088-11	RES, VAR, SLIDE 250K (250K (400Hz))
R907	1-538-088-11	RES, VAR, SLIDE 250K (250K (1KHz))
R908	1-538-088-11	RES, VAR, SLIDE 250K (250K (4KHz))
R909	1-538-088-11	RES, VAR, SLIDE 250K (250K (12KHz))
R910	1-538-081-11	RES, VAR, CARBON 20K (250K (VOLUME))
R7701	1-515-618-11	RELAY
R7702	1-515-618-00	RELAY

Note: The component identified by mark  or dotted line with mark  are critical for safety. Replace only with part number specified.